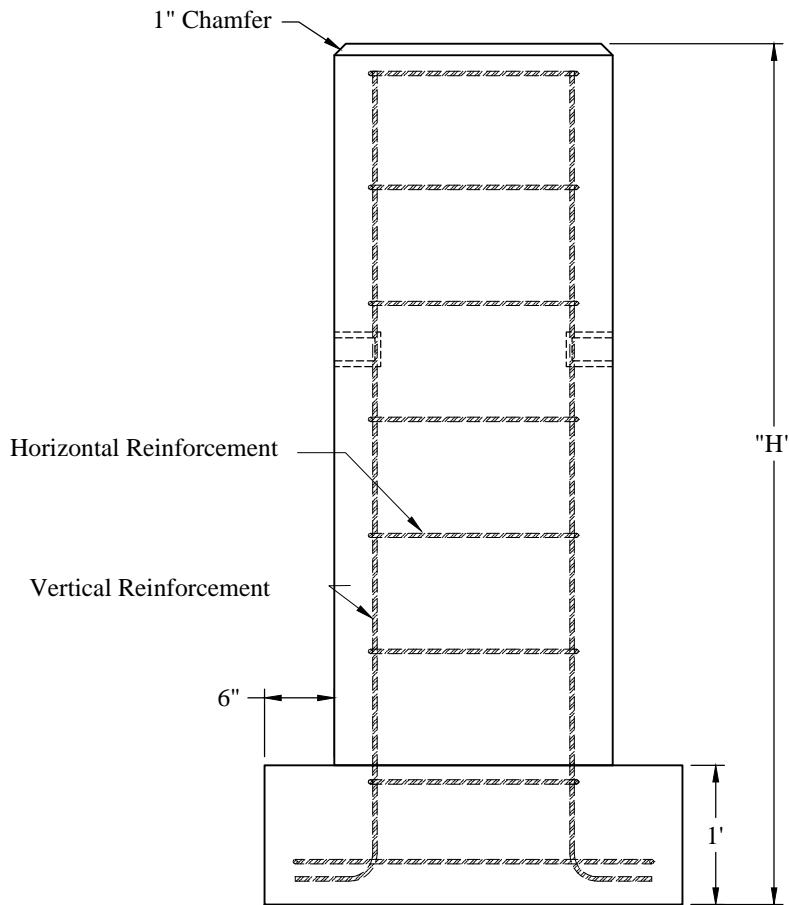
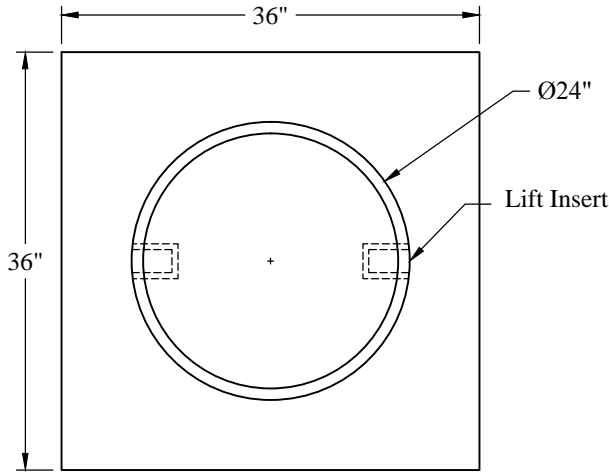


1-800-639-2199

Fax (603) 224-2927

Light Pole Bases\Piers\24 Inch Dia Pier with Footing (v)



Height	Weight	P/N:
4'	2,740 lbs	PIER-24R4F
5'	3,205 lbs	PIER-24R5F
6'	3,675 lbs	PIER-24R6F
7'	4,145 lbs	PIER-24R7F
8'	4,610 lbs	PIER-24R8F
9'	5,080 lbs	PIER-24R9F
10'	5,550 lbs	PIER-24R10F
11'	6,015 lbs	PIER-24R11F
12'	6,485 lbs	PIER-24R12F

General Notes

1. Concrete: $f_c = 4,000$ PSI @ 28 Days Minimum
2. Reinforcing Steel Conforms to Latest ASTM Specifications:
ASTM A615 Grade 60 Rebar Black Deformed Bars

Phoenix
Precast
Products

24" Diameter Pier
With Footing

Phoenix Precast Products

Phoenix Precast Products